

### Output Ratings

Generating Set Model	SL400P3	SL450E3
380 – 415V, 50 Hz	400 kVA 320 kW	450 kVA 360 kW

Ratings at 0.8 pf

### Ratings Definitions

#### Prime Power – Model SL400P3

These ratings are applicable for supplying continuous electrical power (at variable load) in lieu of commercially purchased power. There is no limitation to the annual hours of operation and this model can supply 10% overload power for 1 hour in 12 hours.

#### Standby Power – Model SL450E3

These ratings are applicable for supplying continuous electrical power (at variable load) in event of a utility power failure. No overload is permitted on these ratings. The alternator on this model is peak continuous rated (as defined in ISO8528-3).

### Technical Data

Engine Model:	Scania DSC1254A
Alternator Model:	LL6114D
Number of Cylinders:	6 in-line
Cubic Capacity: Litres (cu.in)	11.7 (714)
Bore/Stroke: mm (in)	127 (5.0) / 154 (6.1)
Compression ratio:	16:1
Aspiration:	Turbocharged, AA Charge Cooled
Frequency:	50 Hz
Engine Speed:	1500 RPM
Gross Engine Power: kW (hp)	405 (543)
BMEP: kPA (psi)	2768 (401)
Piston Speed: m/sec (ft/sec)	7.7 (25.3)
Fuel Tank Capacity: Litres (US Gal)	800 (211)
Fuel Consump, SL400P3: 1/hr (USg/hr)	81.5 (21.5)
Fuel Consump, SL450E3: 1/hr (USg/hr)	94.8 (25.0)
Heat Rejection to Exhaust System: kW (Btu/min)	296 (16848)
Heat Rejection to Cooling System: kW (Btu/min)	229 (13035)
Total Radiated Heat: kW (Btu/min)	61.0 (3472)
Exhaust Temperature: °C (°F)	537 (999)
Radiator Cooling	
Air Flow: m <sup>3</sup> /min (cfm)	494 (17445)
Combustion Air Flow: m <sup>3</sup> /min (cfm)	23.6 (833)
Exhaust Gas Flow: m <sup>3</sup> /min (cfm)	71.1 (2511)

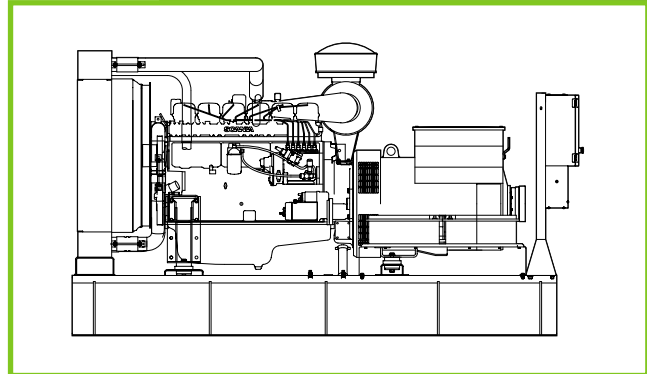
Note: Standard reference conditions 27°C (80°F) Air Inlet Temp, 152.4m (500ft) A.S.L. 60% relative humidity. All engine performance data based on the above mentioned maximum continuous ratings. Fuel consumption data at full load with diesel fuel with specific gravity of 0.85 and conforming to BS2869: 1998, Class A2.

### Dimensions and Weights

Length: mm (in)	Width: mm (in)	Height: mm (in)	Dry: kg (lb)	Wet: kg (lb)
3400 (134)	1380 (54.3)	2000 (78.7)	3265 (7199)	3315 (7310)

Dry = With Lube Oil                      Wet = With Lube Oil and Coolant

Generating set pictured may include optional accessories



## SL400P3–SL450E3



### FG Wilson (Engineering) Ltd

Old Glenarm Road, Larne, County Antrim BT40 1EJ  
Northern Ireland, United Kingdom

Tel: +44 (0) 28 2826 1000 Fax: +44 (0) 28 2826 1111

www.FGWilson.com

